

**Bringing Compact to a New Level,  
The Lifebreath METRO 120ERV**



- Designed for high-rise condos, apartments and townhomes with limited mechanical space
- Low profile, fits in bulk head and drop ceilings, slim height 9.75"
- 50-130 CFM operational range
- 3 High speed selection
- Brackets included for easy install
- No drains required
- Removable motor and electronic panel for easy maintenance and servicing
- Swing open e-box cover for quick access to circuit board and dip switches
- Convenient hinged door – no screws
- Outside air connections on same side of unit
- Optional ceiling mounted access panel (trim kit) available in 26" x 26" size

**ENGINEERING DATA**

**Total Recovery Core**

Cross-flow energy recovery core transfers heat and water vapor between two airstreams. Easily removed for cleaning or service.

**Motors and Blowers**

Each airstream has an independent centrifugal blower with multiple fan speed operations.

**Filters**

Washable air filters in exhaust and supply airstreams.

**Mounting the ERV**

Mounting brackets supplied.

**Frost Prevention**

Temperature sensor activated, periodically shuts down supply motor. Drains not required.

**Case**

20 gauge prepainted galvanized steel for superior corrosion resistance, insulated to prevent exterior condensation.

**Installer Selectable High Speed Settings**

Adjustable DIP switches are located on the circuit board, Hi3 is the factory setting. Refer to the installation manual for the adjustment instructions.

**Electronics**

Main control can be wall mounted in a central location. 3 wire 20 gauge (min.) 100 ft. length (max.)

**LIFEBREATH CONTROL OPTIONS**

FEATURES	99-DXPL02	99-BC02	99-BC03	99-BC04
5 speed fan operation on each mode	✓			
2 speed fan operation (Low/High)		✓		✓
Humidity control through adjustable Dehumidistat	✓	✓	✓	
Large digital LCD screen	✓			
LED status indicator lights		✓	✓	✓
Continuous Ventilation	✓	✓	✓	✓
20 ON/40 OFF	✓		✓	✓
10 ON/50 OFF	✓			
20/40/60 min. High speed override button	✓			
Compatible with 99-DET02 Wireless Timer	✓	✓	✓	✓
3 wire connection	✓	✓	✓	✓

**TIMER OPTIONS**

**99-DET01**

**Lifebreath 20/40/60 Minute Timer**

Initiates high speed Ventilation for 20,40 or 60 minutes. 3 wire connection.

**99-DET02**

**Wireless Lifebreath 20/40/60 Minute Timer**

Initiates high speed Ventilation for 20,40 or 60 minutes. Wirelessly connects to main control for ease of installation. 40 ft. approximate range.

**\*\* Exclusive to Lifebreath \*\***

**99-RX02**

**Wireless Lifebreath Repeater**

Extends range of 99-DET02 Wireless Timers. Plugs into 120V power outlet. Wirelessly connects to main control and 99-DET02. Install at halfway point between timer and main wall control if timer is out of range.

**Accessory Options**

**99-163** Duct Heater w/ Electronic SCR Thermostat—1 kW, 6 in (152 mm).

**99-185** Weatherhoods—Two 5 in (127 mm).

**99-190** Dual Hood—One 6 in (152 mm) opening for supply and exhaust.

*Tested by: National Research Council*

*Program: Building Regulations for Market Access*

*Report Number: A1-007793, Report Date: 15 February 2016*

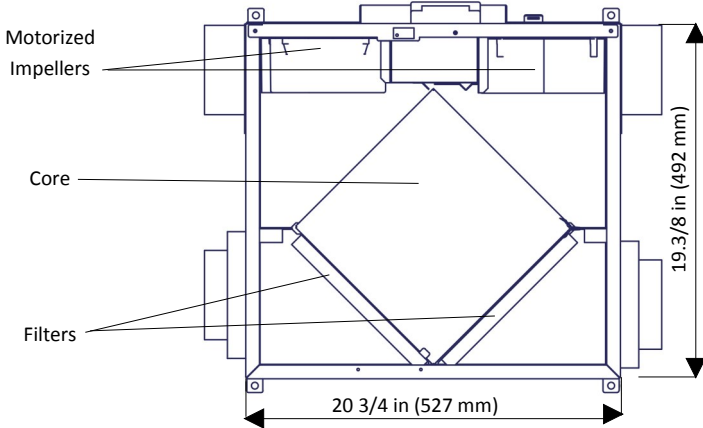
*Found to comply with requirement as set in the NBC*

**99-2626** Ceiling Mounted Access Panel For HRV and ERV with removable door. 26" x 26"



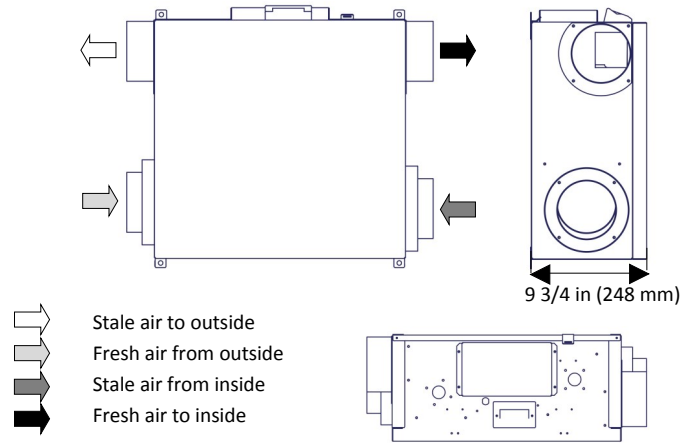
973-536-2220

**Dimensions**



**Note:** Front clearance of 25 in (635 mm) is recommended for servicing unit. All ducts use 5 in (125 mm) round collars.

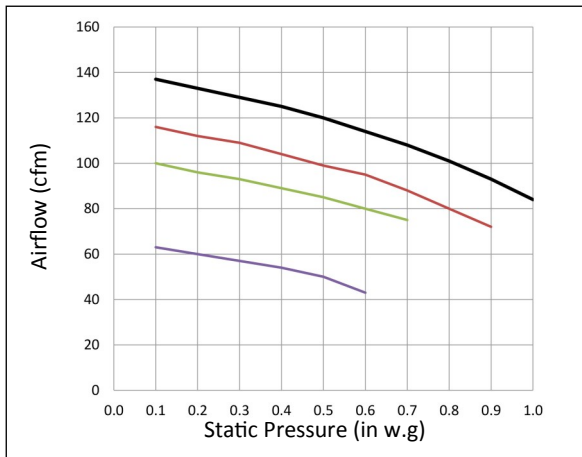
**Weight:** 34 lbs (15.5 kg)    **Shipping Weight:** 36 lbs (16 kg)



**Performance (HVI Certified)**

In. wg. (Pa)	0.1 (25)	0.2 (50)	0.3 (75)	0.4 (100)	0.5 (125)	0.6 (150)	0.7 (175)	0.8 (200)	0.9 (225)
	cfm (L/s)	cfm (L/s)	cfm (L/s)	cfm (L/s)	cfm (L/s)	cfm (L/s)	cfm (L/s)	cfm (L/s)	cfm (L/s)
Net Supply Airflow	138 (65)	133 (63)	129 (61)	125 (59)	119 (56)	114 (54)	108 (51)	102 (48)	93 (44)
Gross Supply Airflow	138 (65)	136 (64)	131 (62)	127 (60)	121 (57)	117 (55)	110 (52)	102 (48)	93 (44)
Gross Exhaust Airflow	138 (65)	133 (63)	129 (61)	125 (59)	121 (57)	114 (54)	110 (52)	104 (49)	95 (45)

Electrical Specifications:	
VAC @ 60Hz	120
Watts / Low Speed	60
Watts / High Speed	154
Amp Rating	1.4



Sensible Effectiveness (ASE) @ 49 cfm (23 L/s)	32°F (0°C)	83%
Sensible Effectiveness (ASE) @ 64 cfm (30 L/s)	32°F (0°C)	79%
Sensible Efficiency (SRE) @ 49 cfm (23 L/s)	32°F (0°C)	72%
Sensible Efficiency (SRE) @ 64 cfm (30 L/s)	32°F (0°C)	71%
Total Efficiency (TRE) @ 64 cfm (30 L/s)	95°F (35°C)	45%

**Sensible Efficiency:** Thermal  
**Total Efficiency:** Moisture and Thermal @ 95°F (35°C)  
**Effectiveness:** Based on temperature differential between the 2 airstreams  
**Efficiency:** Takes into account all power inputs and leakage

**WARRANTY** Units carry a 5 year warranty on the ERV core and a 5 year replacement parts warranty.

Date: \_\_\_\_\_ Contractor: \_\_\_\_\_  
 Tag: \_\_\_\_\_ Qty: \_\_\_\_\_ Supplier: \_\_\_\_\_  
 Project: \_\_\_\_\_ Quote#: \_\_\_\_\_  
 Engineer: \_\_\_\_\_ Submitted By: \_\_\_\_\_  
 Control: \_\_\_\_\_ Timer: \_\_\_\_\_ Timer Qty: \_\_\_\_\_



All units conform to CSA and UL standards



511 McCormick Blvd.  
 London, ON, Canada  
 N5W 4C8  
 1-800-247-4200