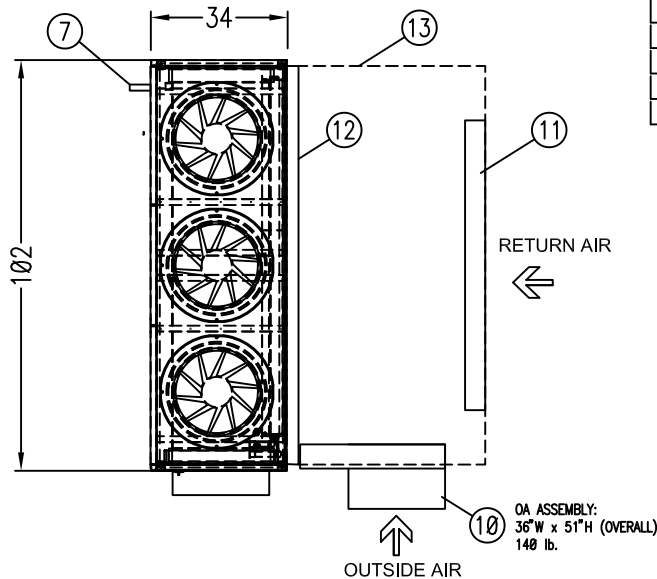


**GENERAL NOTES:**

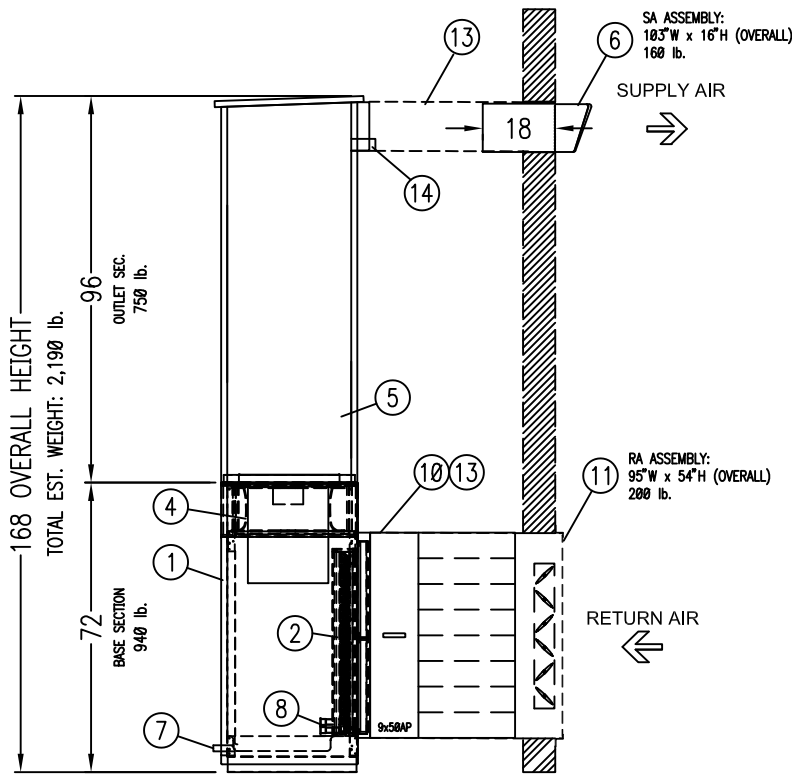
1. OVERALL UNIT DIMENSIONS ARE NOMINAL AND DO NOT ACCOUNT FOR MATING FLANGES, EXTENDED CONNECTIONS, MANUFACTURING TOLERANCES, ETC. CONTRACTOR TO VERIFY ACCEPTABLE CLEARANCES FOR INSTALLATION OF THIS EQUIPMENT.
  2. SEISMIC LOAD OR WIND LOAD ARE NOT CONSIDERED IN THE INSTALLATION RECOMMENDATIONS OF THIS UNIT. IF SEISMIC OR WIND LOADING ANALYSIS IS REQUIRED, IT IS TO BE PROVIDED BY OTHERS UNLESS STATED OTHERWISE IN THE SUBMITTAL. STRUCTURAL SUPPORT OR SWAY BRACING, IF DETERMINED TO BE REQUIRED, IS BY OTHERS UNLESS STATED OTHERWISE IN THE SUBMITTAL.
- \* REFERENCE UNIT DATA SHEETS FOR PERFORMANCE AND COMPONENT DETAILS.

NO	QTY	DESCRIPTION	NOTES
1	1	BASE SECTION	
2	1	HEATING AND/OR COOLING COIL	*
3	1	POWER/ CONTROL PANEL	SEE BELOW
4	3	DIRECT DRIVE ECM FANS	(3) 1 HP MOTORS
5	1	OUTLET SECTION	
6	1	SA LOUVER RACK	SHIPS LOOSE
7	1	CONDENSATE DRAIN CONNECTION	1" FPT CONNECTION
8		COIL CONNECTIONS	
9	2	FORKLIFT POCKETS	
10	1	ECONOMIZER / OA DAMPER ASSEM.	SHIPS LOOSE
11	1	RA DAMPER / GRILL ASSEM.	SHIPS LOOSE
12	1	FILTER BANK	2" MERV-8
13		INTERCONNECTING DUCTWORK	BY OTHERS
14	2	STRUCTURAL BRACING TABS	

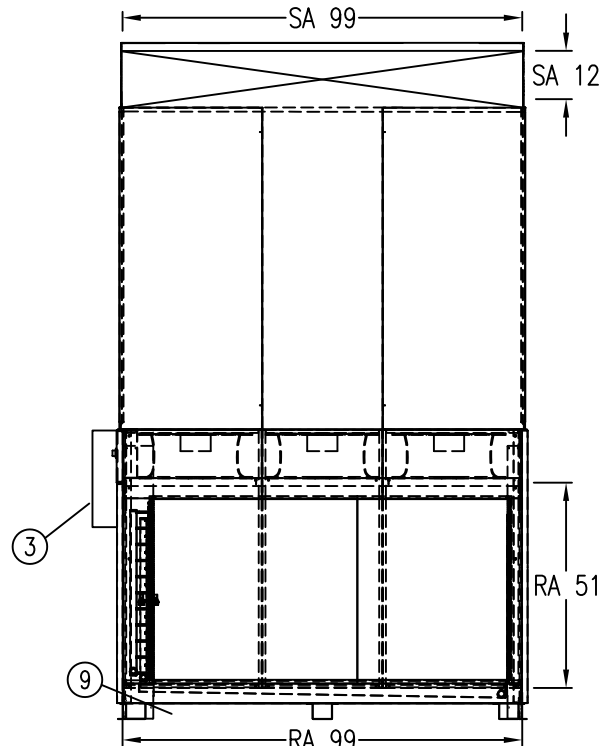


PLAN VIEW

ELECTRICAL		
	MCA	MOCP
460V/3ph	7.5	9
230V/3ph	12.1	15
208V/3ph	13.4	15
230V/1ph	18.3	20



CONTROL END VIEW



RIGHT SIDE VIEW

REV	DATE	INIT

DATE:	10/19/23	DRAWING TITLE:	GENERAL ARRANGEMENT DRAWING FOR:
SCALE:	NONE	UNIT TAG NO:	ARVR35-460.3-168W
DRAWN:		PROJECT NAME:	WILLIAM AND HEINTZ WAREHOUSE
ENGR:		PROJECT LOCATION:	MARYLAND
SALES:		CUSTOMER:	
APPROVED BY:		FIELD REP.:	
JMI QUOTE NO:	Q-16172	JMI ORDER NO:	

**ARIZON**  
FAMILY OF BRANDS

**LITE**  
HVAC SYSTEMS

DWG NO.:

Q16172-GA

SHEET: 1 OF 1

REV.: 0

IN CONSIDERATION OF THE RECEIPT OF THIS DOCUMENT, THE RECIPIENT AGREES NOT TO REPRODUCE, COPY, USE OR TRANSMIT THIS DOCUMENT AND/OR THE INFORMATION THEREIN CONTAINED IN WHOLE OR IN PART, OR TO SUFFER SUCH ACTION BY OTHERS, FOR ANY PURPOSE, EXCEPT WITH THE ADVANCE WRITTEN PERMISSION OF ARIZON COMPANIES, OR ITS JOHNSON, MARCRAFT OR ARIZON DIVISIONS, AND FURTHER AGREES TO SURRENDER SAME TO ARIZON COMPANIES UPON DEMAND. COPYRIGHT ARIZON COMPANIES 2019. ALL RIGHTS RESERVED.